

Surge Protective Device

Technical Documentation



The **ASCO Model 136** is a single pair telephone protector that implements an advanced three-stage hybrid design. This unit addresses over-voltage transients with gas discharge tubes (GDT) and silicon breakover devices. Additionally, sneak and fault currents are mitigated with PTC technology, which consists of solid state resettable fuses. Model 136 is specifically designed for more rugged applications such as traffic cabinets.

Key Specs

- **Voltage:** 0-60 VDC
- **Current:** 150mA
- **Connection:** Input: Hardwire or RJ-11, Output: Hardwire or RJ-11
- **Mounting:** Wall Mount

*See Ordering Information for model number selection

General Technical Specifications

Operating Voltage	60 VDC
Clamping Voltage	62 VDC
Operating Current	0.15 A
Peak Surge Current	10kA (8 x 20µs)
Frequency Range	0 to 20 MHz
Insertion Loss	< 0.1 dB at 20 MHz
SPD Technology	GDT, SAD, w/ Series PTC
Connection Type	RJ or screw terminal in RJ connector or screw terminal out
Operating Temperature	-40°C to +85°C De-Rate 40% at +85°C
Dimensions (in / mm)	1.0" H x 2.0" W x 2.0" L [25.4 x 50.8 x 50.8 mm]
Weight (oz / kg)	2 oz [0.06 kg]
Warranty	5 years

Caution

Do not place this product in service on any signal line capable of continuously supplying more than 150 mA.

Attention

Ne pas placer ce produit dans le service sur une ligne de signal capable de fournir en permanence plus de 150 mA.

DANGER!

Only qualified personnel should install or service this system. Electrical safety pre-cautions must be followed when installing or servicing this equipment. To prevent risk of electrical shock, turn off and lock out all power sources to the unit before making electrical connections or servicing.

Seulement le personnel qualifié doit installer ou maintenir ce système. Des précautions de sécurité en électricité doivent être suivies lors de l'installation ou de la maintenance de cet équipement. Pour éviter tout risque de choc électrique, débranchez et verrouillez toutes les sources d'alimentation de cet équipement avant de.

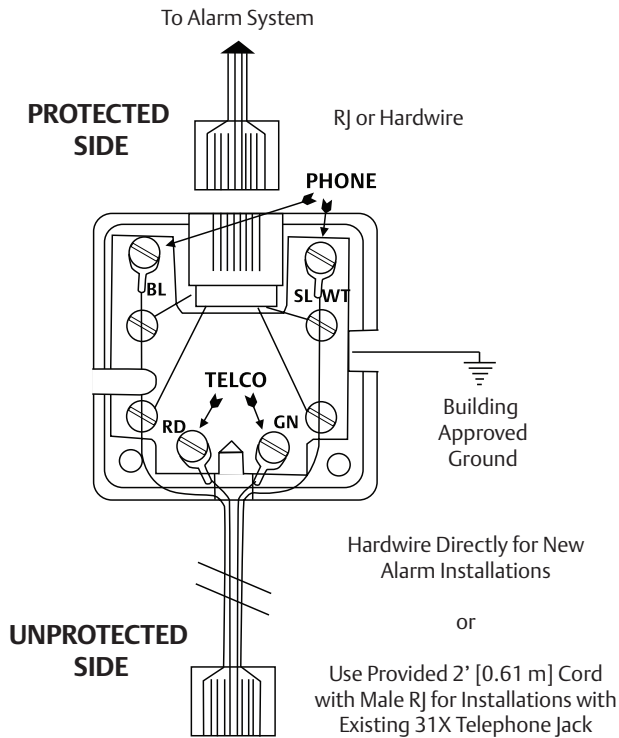
Features

- Three-stage hybrid design
- Rugged gas tube protection
- Sneak/fault current protection
- Fast response time
- 5 year warranty

Note:

Do not use this device on standard telephone circuits with ringing voltage.

Installation Instructions



Ordering Information

MODEL
Former Model Name

APPLICATION

136D062S10KARJNO
Edco FAS-TEL-60G

0-60V DSL/VDSL Protection
For Traffic Cabinets

14550 58th Street North
Clearwater, Florida 33760
P (800) 237-4567
P (727) 535-6339
F (727) 539-8955
E CustomerCare@ASCO.com

While every precaution has been taken to ensure accuracy and completeness herein, ASCO Power Technologies assumes no responsibility, and disclaims all liability, for damages resulting from use of this information or for any errors or omissions. Specifications are subject to change without notice.

ASCO®

ID-50131A Rev- 07-16